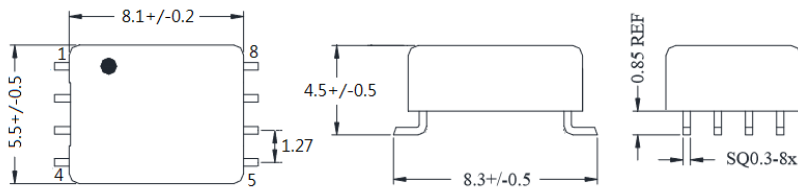


G.hn Balun Transformers –YB097T

EXTERNAL DIMENSIONS

(Unit: mm)



Part Number	Winding Turns	Operating Frequency Range	Insertion Loss
G.hn Wavw2 Phone Line/Coax Adapter YB097T-3363	1 : 1 : 2 : 1	2MHz~200MHz	0.5dB Max.

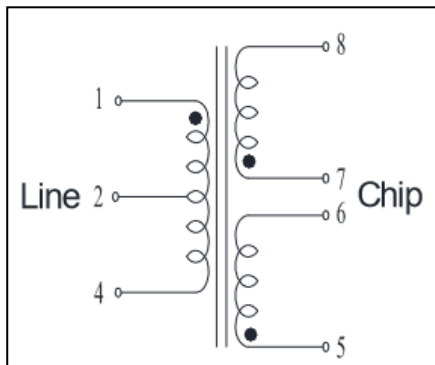
Features

- Windings use paired wires for high uniformity.
- Base pins are end processed to allow direct mounting on PCB.

Applications

- For Marvell reference design G.hn wave2 DPC962C Coax and DPC962P Phone line adapter
- For Marvell AFE chip 88LX2730

Schematic



Turns Ratio Pin(1-2):(2-4):(5-6):(7-8)	: 1 : 1 : 2 : 1±5%
Inductance Pin(1-2),(2-4),(7-8)	: 8uH Min@100KHz/0.1V
Pin(5-6)	: 45uH Min@100KHz/0.1V
Leakage Inductance Pin(1-4)	: 0.4uH Max @ 100KHz/0.1V
Pin(5-6)	: 0.2uH Max @ 100KHz/0.1V
DC Resistance Pin(1-2),(2-4),(7-8)	: 40mΩ Max.
Pin(5-6)	: 70mΩ Max.
Hi-Pot	: 1500VAC/1mA/2S
Operation Temperature	: -40°C ~ + 125°C

SMT